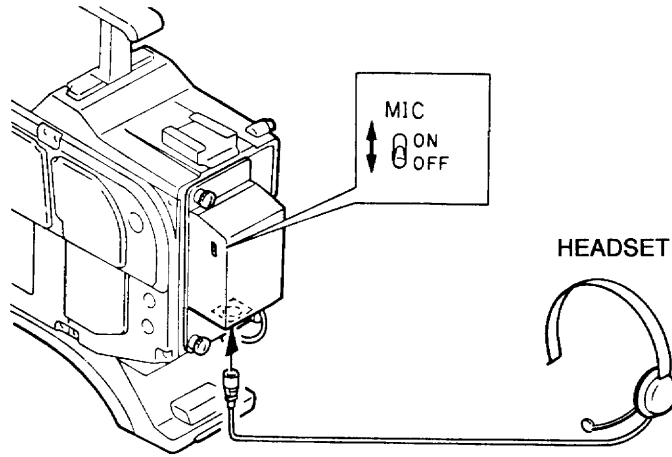
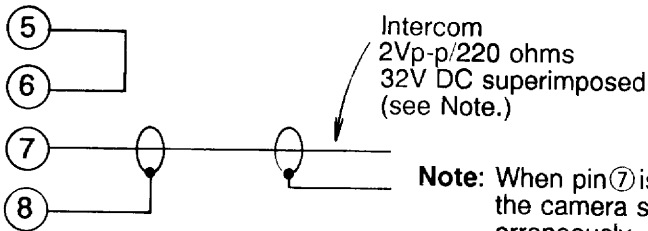


The mic of the cameraman's headset can be turned on or off by the MIC ON-OFF switch on the Intercom Adaptor.



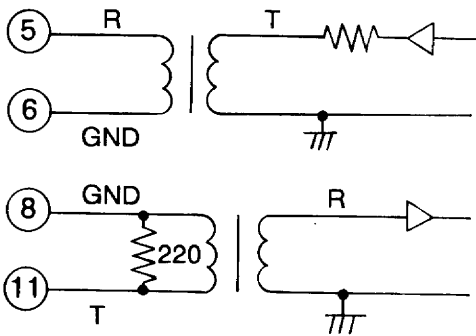
1. INTERCOM interface

1) 2 wire



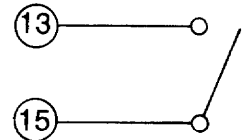
Note: When pin ⑦ is grounded, the tally at the camera side operates erroneously. Therefore, when the DC voltage is not superimposed, connect to pin ⑪ instead of pin ⑦.

2) 4 wire

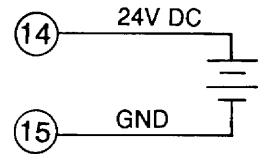


2. TALLY interface

1) Closure



2) Voltage



(Either polarity will do)
Note that pin ⑮ is connect edto GND in the RU-Z1.

Wiring of the TALLY/INTERCOM connector (For connection, see page 20.)

(3) Connection of audio unit

To connect the audio output signal to another audio unit, see page 20.

Output signal: Approx. 0dBm/600ohms, balanced.